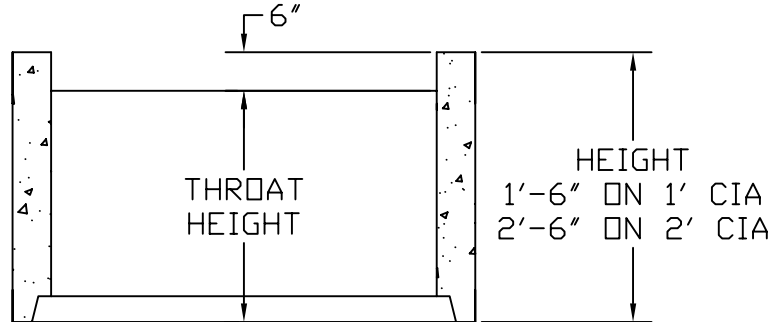




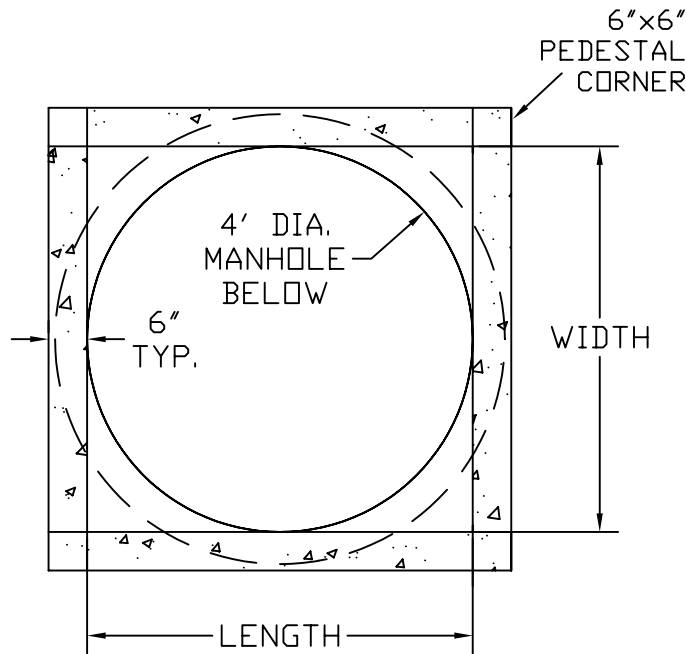
CURB INLET ADAPTERS

ELEVATION



ADAPTS FROM 4' DIA.
MANHOLE TO 4'X4' ID
BOX STRUCTURE

PLAN



DESCRIPTION (WxLxTH)	WEIGHT #
4'x4'x1'-1T CIA RISER	1,875#
4'x4'x1'-3T CIA RISER	1,575#
4'x4'x1'-4T CIA RISER	1,425#
4'x4'x2'-1T CIA RISER	3,225#
4'x4'x2'-3T CIA RISER	2,925#
4'x4'x2'-4T CIA RISER	2,775#

AVAILABLE: 1, 3 OR 4 THROATS OPEN