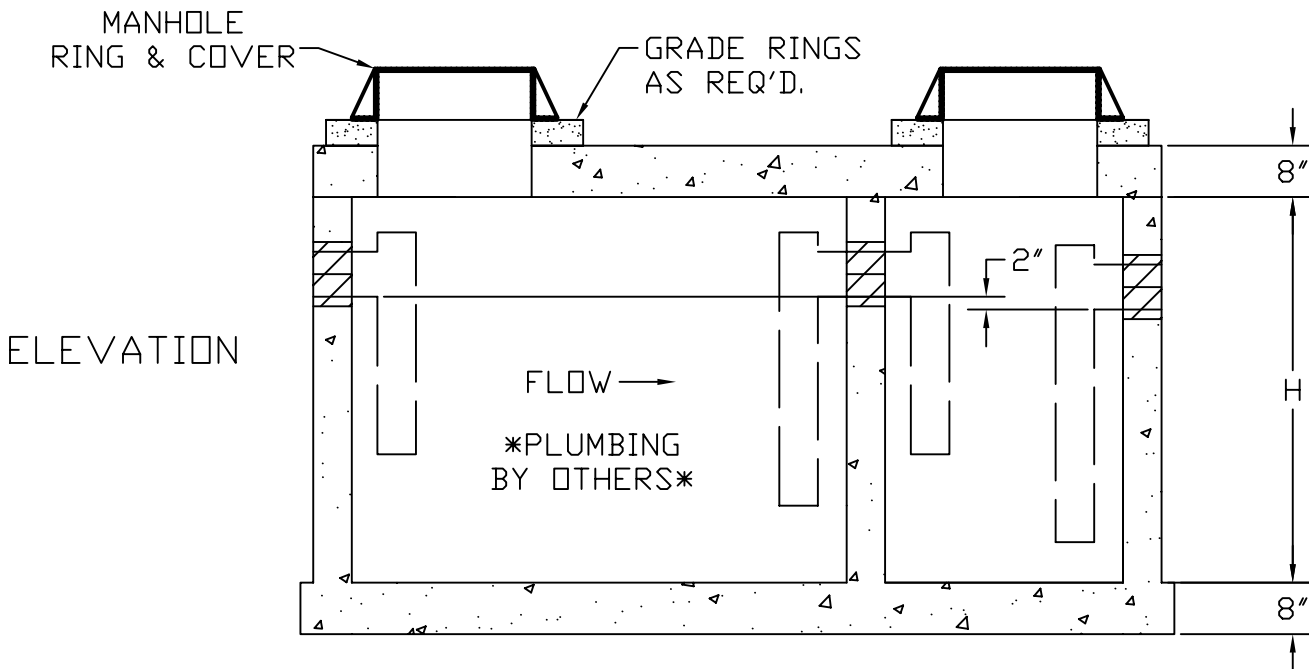
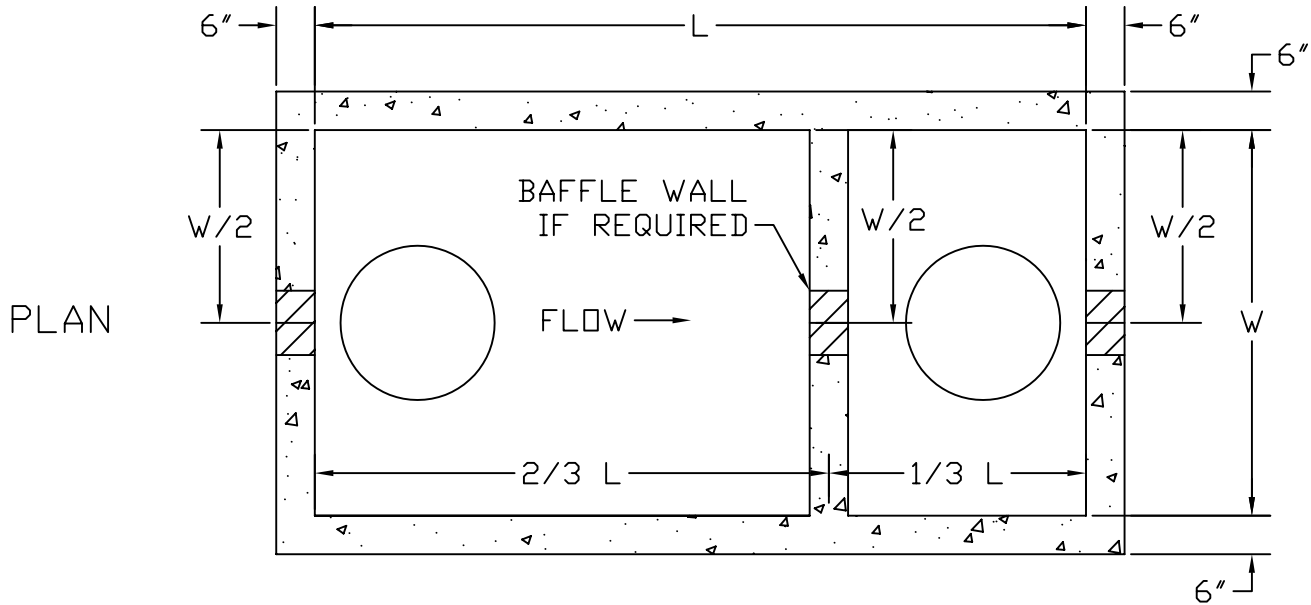


Offered By:  
 MST/SESSCO  
 209 Cane Creek Rd, Fletcher NC 28732  
 828-654-8990~www.sesscompany.com



# GREASE TRAPS



GALLONS	VAULT (WxLxH)	WEIGHT #	LID (WxL)	WEIGHT #
1,000	4'x8'x6'	18,500 #	5'x9'	4,500 #
1,500	5'x10'x5'	21,000 #	6'x11'	6,700 #
2,000	6'x12'x5'	27,000 #	7'x13'	9,200 #
2,500	6'x12'x6'	29,500 #	7'x13'	9,200 #

\*CUSTOM SIZES AVAILABLE UPON REQUEST.  
 \*STRUCTURE TO BE RATED FOR H2O LOADING.