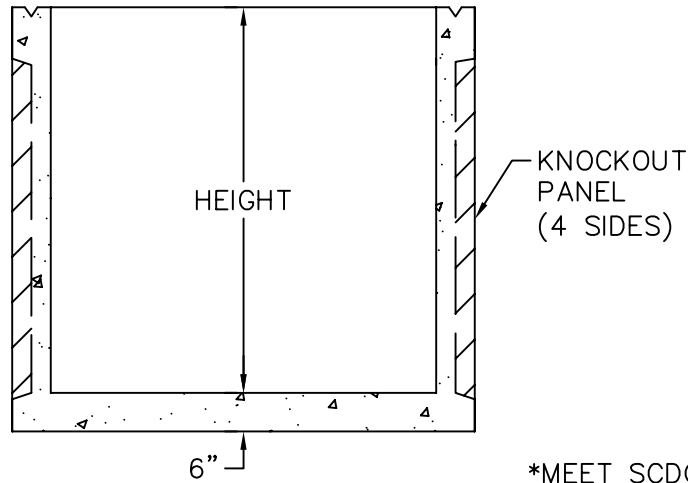


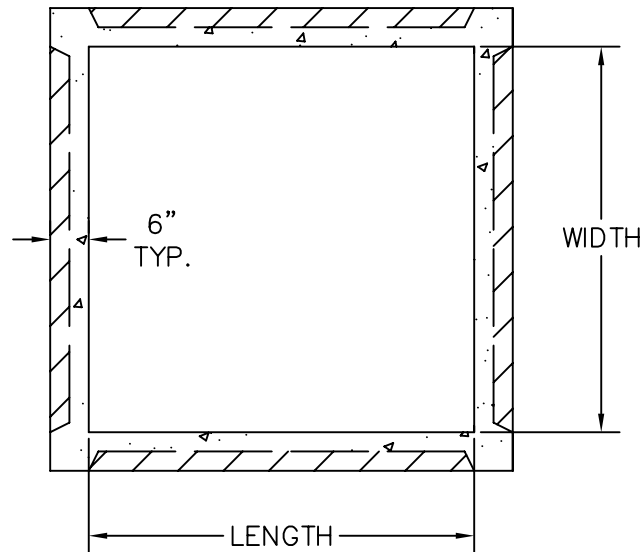
KNOCKOUT PANEL CATCH BASINS

ELEVATION



MEET SCDOT & NCDOT REQUIREMENTS

PLAN



DESCRIPTION (WxLxH)	WEIGHT #
2'x2'x2' CATCH BASIN	1,650#
2'x2'x3' CATCH BASIN	2,350#
2'x3'x3' CATCH BASIN	2,800#
2'x3'x4' CATCH BASIN	3,625#
2'-3"x3'x3' CATCH BASIN	3,100#
2'-3"x3'x4' CATCH BASIN	3,950#

DESCRIPTION (WxLxH)	WEIGHT #
3'x3'x3' CATCH BASIN	3,300#
3'x3'x4' CATCH BASIN	4,400#
3'x4'x4' CATCH BASIN	4,950#
3'x4'x5' CATCH BASIN	6,275#
4'x4'x4' CATCH BASIN	5,950#
4'x4'x5' CATCH BASIN	7,100#
5'x5'x6' CATCH BASIN	8,100#