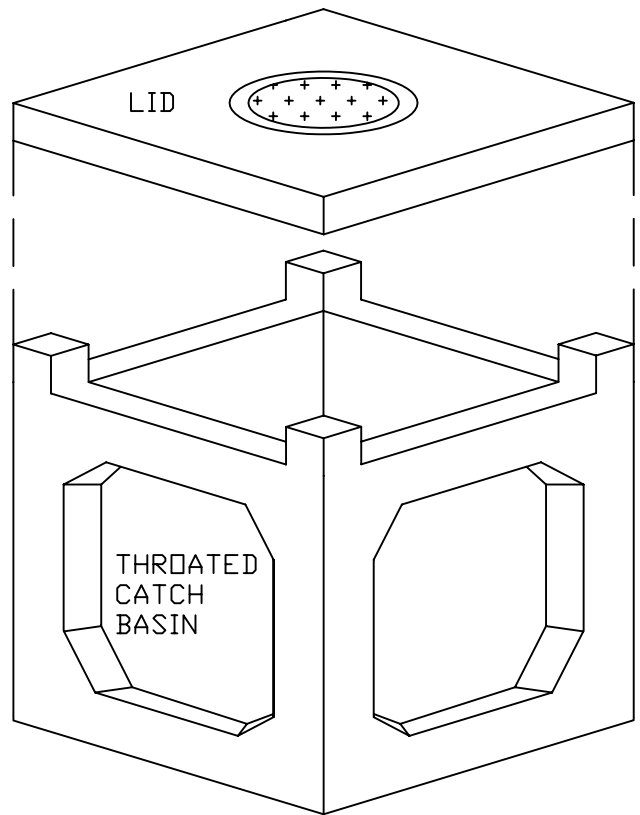
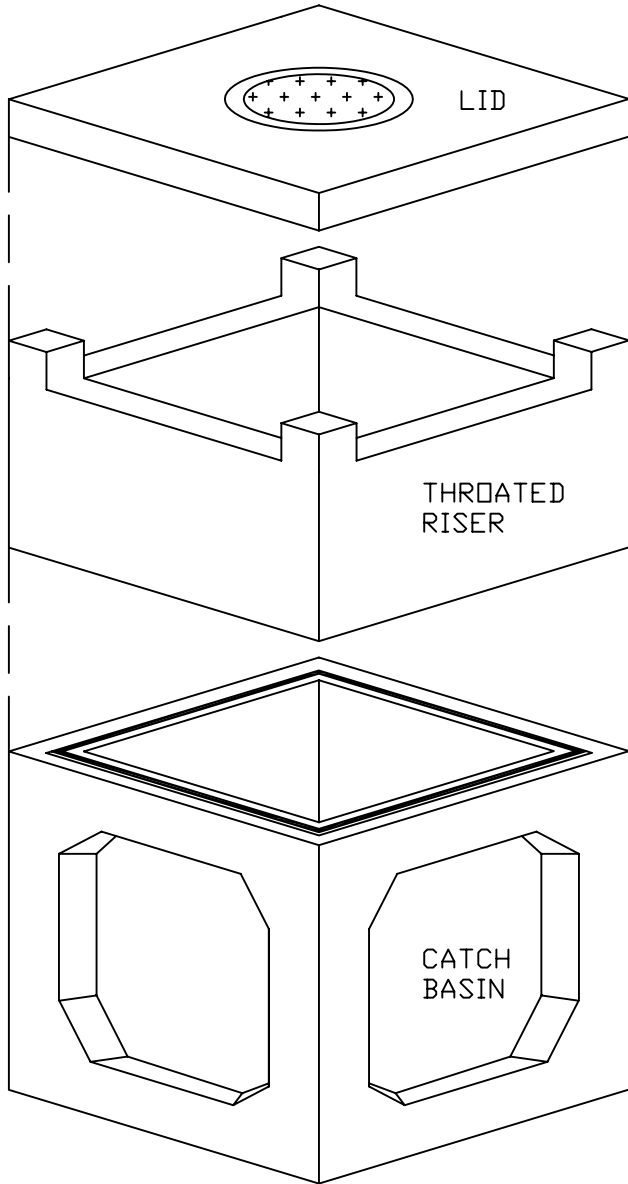


# THROATED KNOCKOUT PANEL CATCH BASINS



- \*CATCH BASIN DESIGN TO MEET ASTM C-890 AND C-913.
- \*MEETS H-20 WHEEL LOADING REQUIREMENTS.
- \*REINFORCEMENT TO MEET ASTM A-615.
- \*MINIMUM 4000 psi CONCRETE.